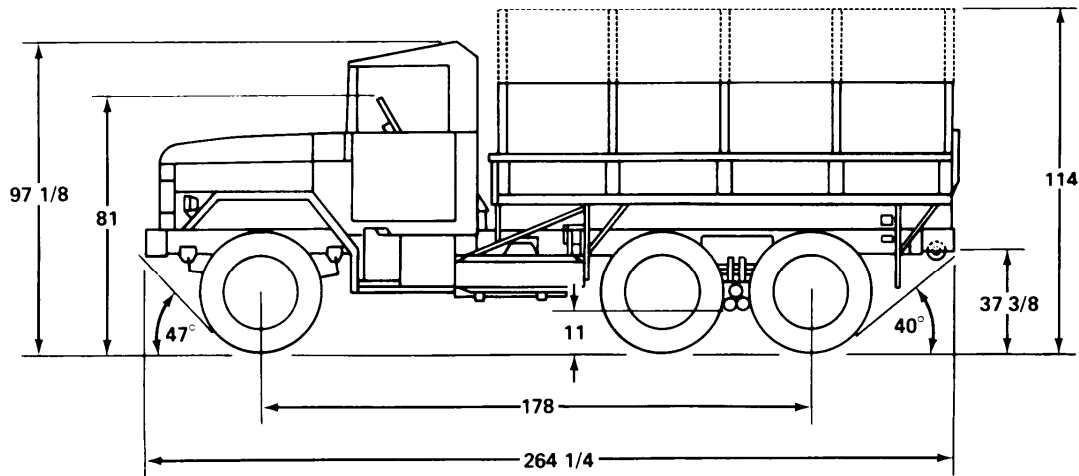
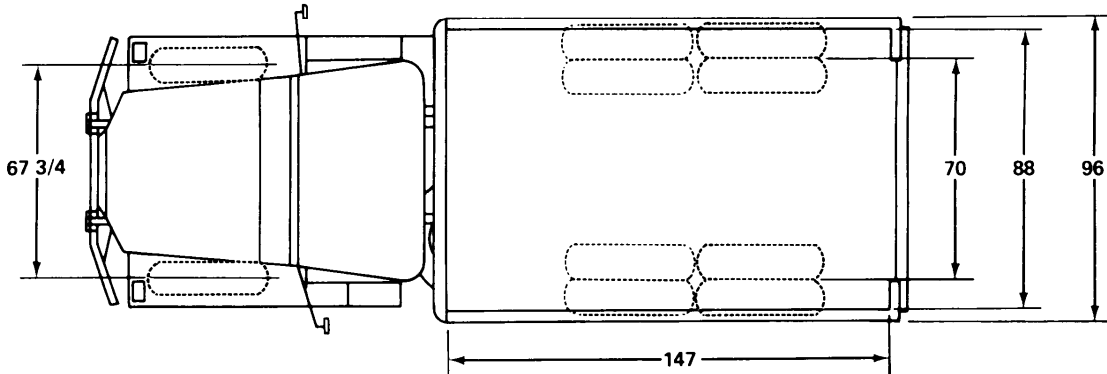


NOTE:  
ALL DIMENSIONS ARE IN INCHES.



TA208700

**PURPOSE:** This vehicle is employed by various units primarily as a cargo and personnel carrier. It is operational on and off the highway.

**GENERAL INFORMATION**

Nomenclature: TRUCK, CARGO: 2 1/2  
Ton, 6x6, WO/Winch  
  
Model Number: M35A2  
  
Crew/Cab Capacity: 2  
  
NSN: 2320-00-077-1616  
  
LIN: X40009  
  
SSN: D131030  
  
TM: 9-2320-209-Series

**CHARACTERISTICS**

Horsepower: 140 bhp @ 2,600 rpm  
  
Transmission: Manual; 5 Fwd, 1 Rev  
  
Electrical System: 24 Volt  
  
Tires: 9:00 x 20, 8-ply  
  
Brakes: Air over hydraulic  
  
Blackout Lights: Yes

**PERFORMANCE DATA**

Fording:  
  
    W/Kit: 72 in  
  
    WO/Kit: 30 in  
  
Approach Angle: 47 Degrees  
  
Maximum Speed: 58 mph  
  
Range: 350 miles

**VEHICLE DATA**

Type Classification & Date: Std A, 1963  
  
Replaces: M35A1  
  
Life Expectancy: 15 Years  
  
Payload: 10,350 lb, Off Road: 7,000 lb  
  
Towed Load Allowance: 6,000 lb  
  
Air Transportability: Phase II

**EQUIPMENT OPTIONS**

Kits: Personnel Heater, Winterization,  
Fording, Electric or Air Brakes,  
Troop Seat, Cargo Body Closure (Arctic)  
  
Winch: No

**SHIPPING DATA**

Weight: 13,700 lb  
  
Cube: 1,190 cu ft  
  
Ground Clearance: 10 15/16 in